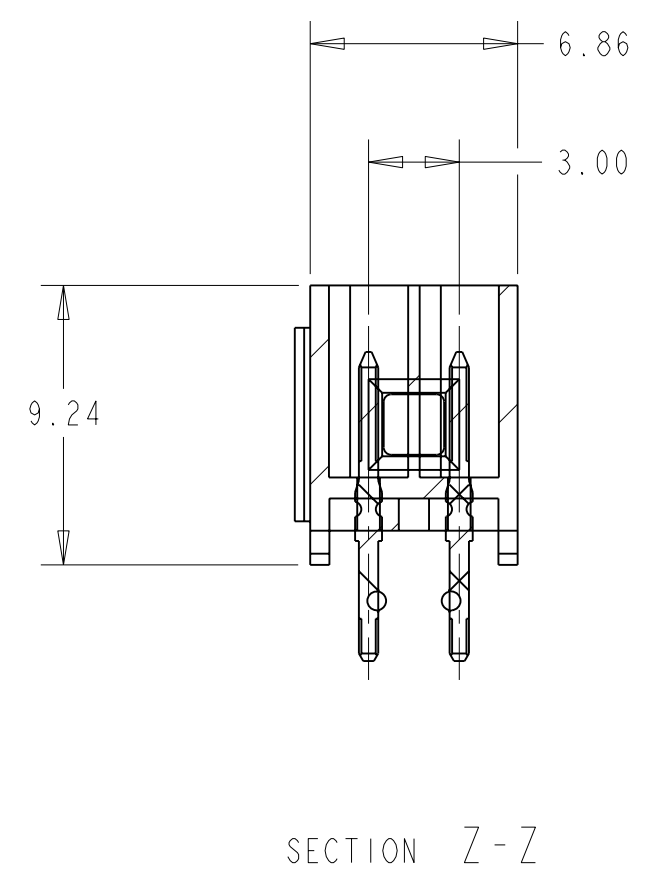
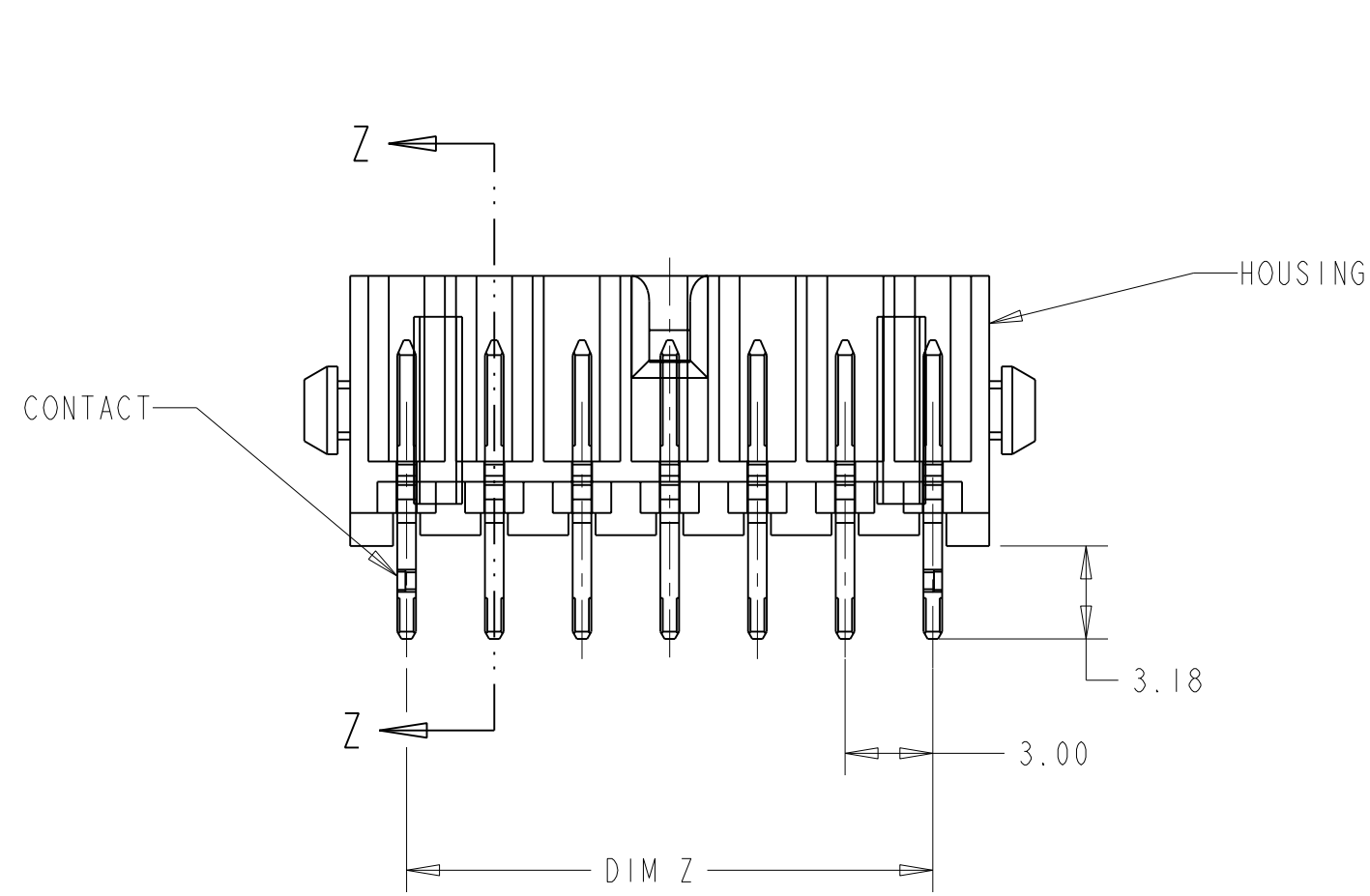
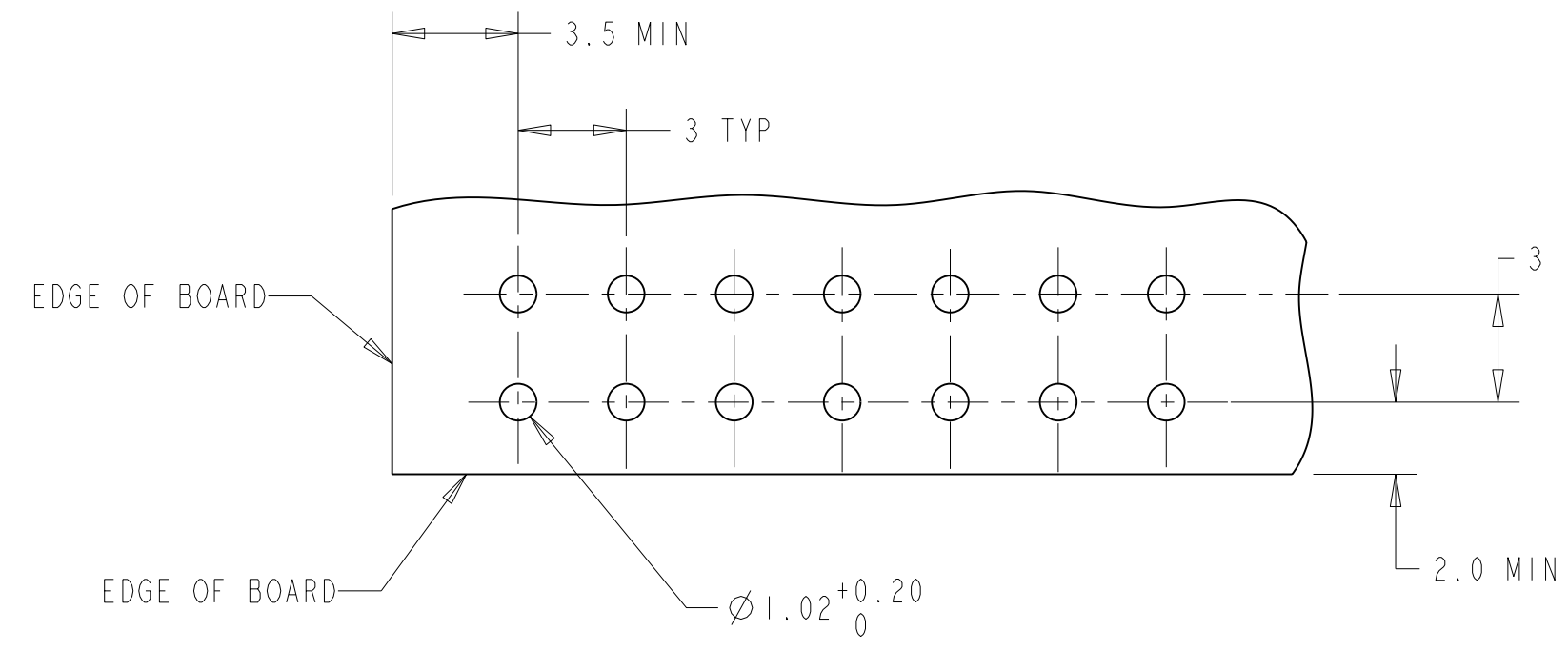
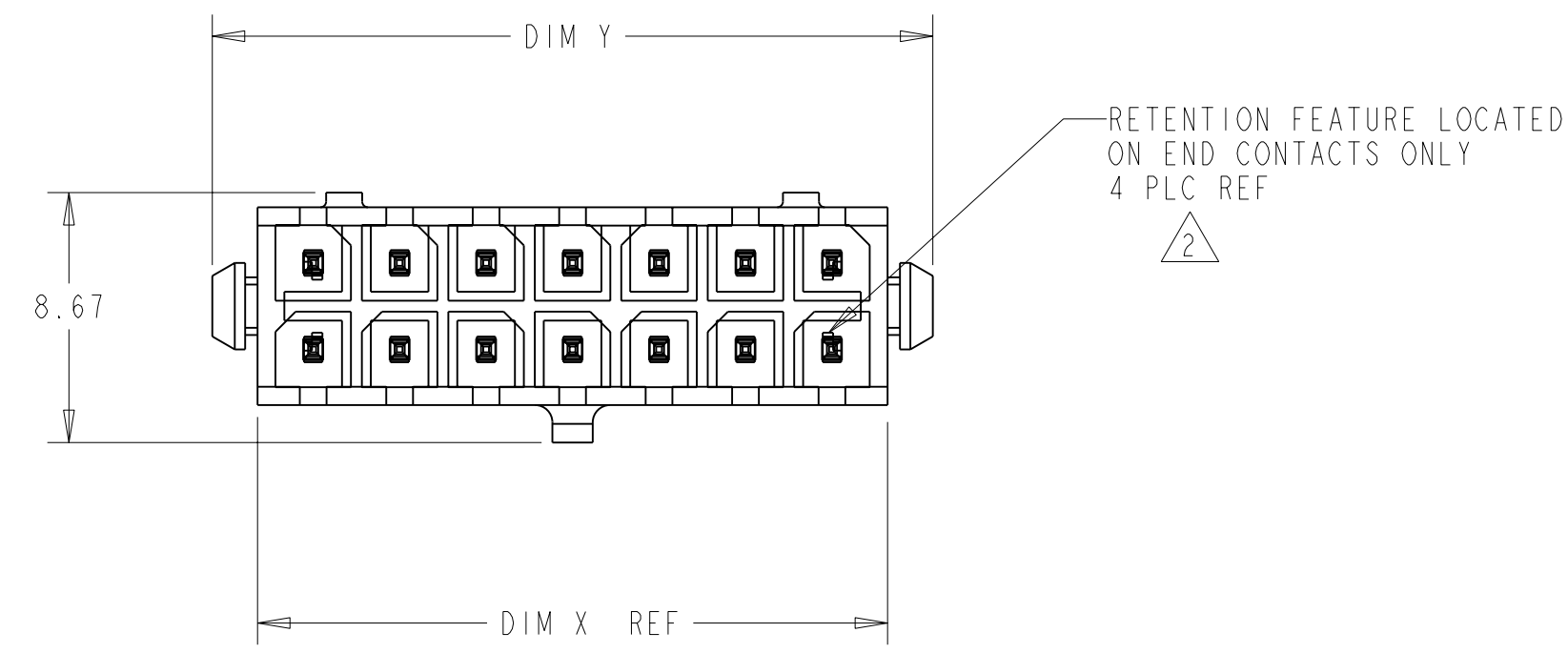


THIS DRAWING IS UNPUBLISHED. RELEASED FOR PUBLICATION  
 © COPYRIGHT 20 BY TYCO ELECTRONICS CORPORATION. ALL RIGHTS RESERVED.

LOC	DIST	REVISIONS					
CM	00	P	LTR	DESCRIPTION	DATE	DWN	APVD
		D		REVISED PER 0G3B-0520-03	25-JUN-03	KW	CJ
		E		REVISED PER 0G3B-0207-05	20APR05	KW	CJ

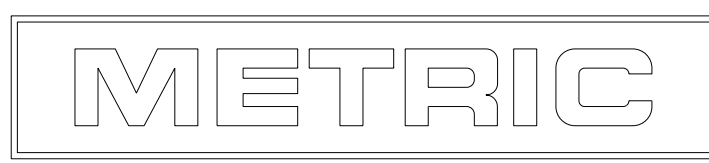
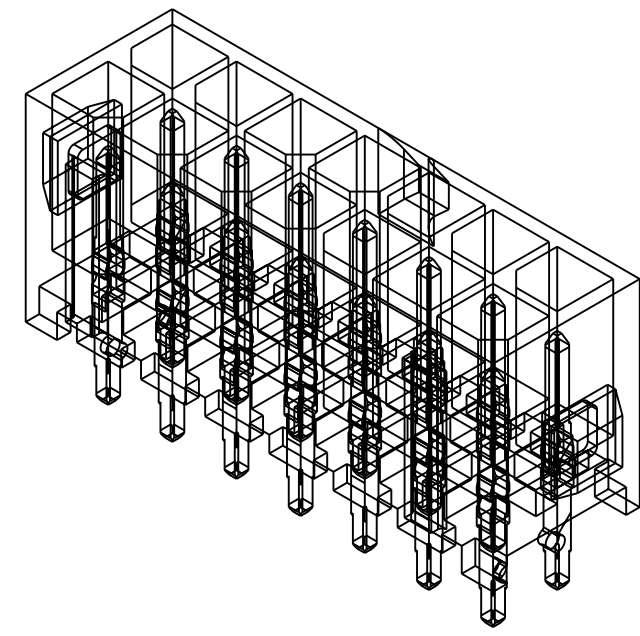


- 1 MATERIAL: HOUSING - NYLON, UL 94V-0, BLACK.  
CONTACT - BRASS.  
0.00254 MINIMUM TIN LEAD OVER  
0.00127 MINIMUM NICKEL ALL OVER.
- 2 MAXIMUM INSERTION 20 LBS.
- 3 RECOMMENDED BOARD THICKNESS 1.57.
- 4 MATERIAL: HOUSING - NYLON, UL 94V-0, BLACK.  
CONTACT - BRASS.  
0.00254 MINIMUM TIN OVER  
0.00127 MINIMUM NICKEL ALL OVER.



RECOMMENDED MOUNTING HOLE PATTERN  
SCALE 5:1

FINISH	DIM Y	DIM Z	DIM X	NO. OF POSN.	ASSEMBLY
4	40.00	33.00	36.86	24	5-794630-4
4	37.00	30.00	33.86	22	5-794630-2
4	34.00	27.00	30.86	20	5-794630-0
4	31.00	24.00	27.86	18	4-794630-8
4	28.00	21.00	24.86	16	4-794630-6
4	25.00	18.00	21.86	14	4-794630-4
4	22.00	15.00	18.86	12	4-794630-2
4	19.00	12.00	15.86	10	4-794630-0
4	16.00	9.00	12.86	8	3-794630-8
4	13.00	6.00	9.86	6	3-794630-6
4	10.00	3.00	6.86	4	3-794630-4
4	7.00	-	3.86	2	3-794630-2
1	40.00	33.00	36.86	24	2-794630-4
1	37.00	30.00	33.86	22	2-794630-2
1	34.00	27.00	30.86	20	2-794630-0
1	31.00	24.00	27.86	18	1-794630-8
1	28.00	21.00	24.86	16	1-794630-6
1	25.00	18.00	21.86	14	1-794630-4
1	22.00	15.00	18.86	12	1-794630-2
1	19.00	12.00	15.86	10	1-794630-0
1	16.00	9.00	12.86	8	794630-8
1	13.00	6.00	9.86	6	794630-6
1	10.00	3.00	6.86	4	794630-4
1	7.00	-	3.86	2	794630-2



THIS DRAWING IS A CONTROLLED DOCUMENT FOR TYCO ELECTRONICS CORPORATION. IT IS SUBJECT TO CHANGE AND THE CONTROLLING ENGINEERING ORGANIZATION SHOULD BE CONTACTED FOR THE LATEST REVISION.

DIMENSIONS: mm [INCHES]	TOLERANCES UNLESS OTHERWISE SPECIFIED: 0 PLC ± 1 PLC ± 2 PLC ±0.13 (.005) 3 PLC ± 4 PLC ± ANGLES ±	DWN K. WHITAKER 20APR2005	tyco Electronics Tyco Electronics Harrisburg, PA 17105-3608
MATERIAL 1	FINISH SEE TABLE	CHK C. JONES 20APR2005	NAME VERTICAL HEADER ASSEMBLY, THRU HOLE, TIN, DUAL ROW, MICRO MATE-N-LOK(TM)
		APVD C. JONES 20APR2005	SIZE A2
		PRODUCT SPEC -	CAGE CODE 00779
		APPLICATION SPEC -	DRAWING NO C=794630
		WEIGHT -	RESTRICTED TO -
		CUSTOMER DRAWING	SCALE 4:1
			SHEET 1
			OF 1
			REV E

794630

A